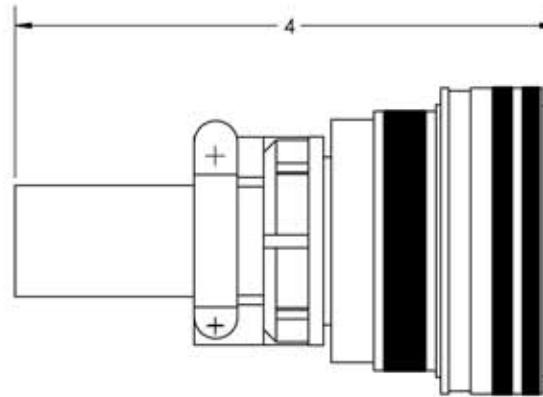
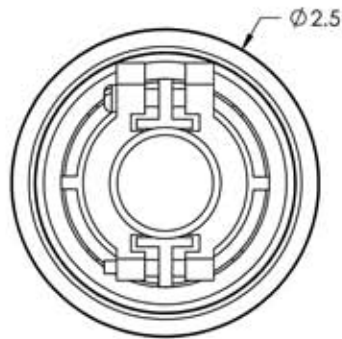
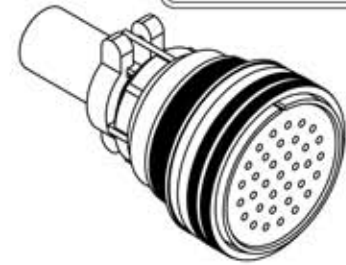


A0740-1-CN REV
11/18/2013



TEMPERATURE RATING: UP TO 125°C

MS Series Air-side Connector, 35 Pins, 700 Volts, 10 Amps per Pin, Accepts 0.056" or 0.062" Dia Pins

APPROVED

TITLE:
MS CIRCULAR CONNECTOR,
700V, 100A, 35PIN

PROPRIETARY AND CONFIDENTIAL

UNLESS OTHERWISE SPECIFIED:

MPF PRODUCTS INC.

ANY REPRODUCTION IN PART OR AS A WHOLE WITHOUT THE WRITTEN PERMISSION OF MPF PRODUCTS INC. IS PROHIBITED.

DIMENSIONS ARE IN INCHES
TOLERANCES:



ANGULAR: MACH ± 1/2 °
TWO PLACE DECIMAL
THREE PLACE DECIMAL

±.030
±.015

FINISH
CONNECTOR

DRAWN BY JB DATE

CHECKED

DO NOT SCALE DRAWING

ENG APPR. JB

SIZE
A

DWG. NO.
A0740-1-CN

REV

11/18/2013

LAST SAVED DATE Monday, November 18, 2013 9:23:52 AM



Engineering Assistance
Custom parts & modifications
Available on all parts

In-House Manufacturing
Manufactured on-site to
our high quality standards

Fast Turnaround
Quick shipping on stock parts
and quick design on custom parts

For Questions or to Order:

1-866-429-4224
MPFPI.com
sales@mpfpi.com