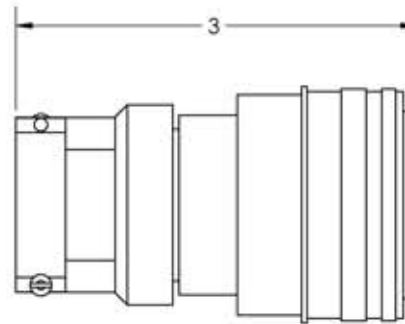
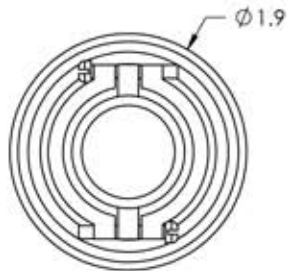
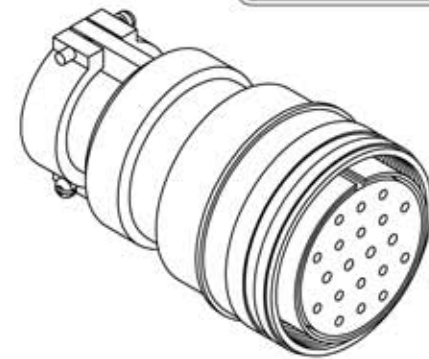


A1177-1-CN REV

11/18/2013



TEMPERATURE RATING: UP TO 350 °C

MS Series Vacuum Side Connector, 10 Pair Thermocouple, Type K, Accepts 0.056" Pins

APPROVED

TITLE: MS CIRCULAR THERMOCOUPLE CONNECTOR, 10 PAIR, TYPE K

<b>PROPRIETARY AND CONFIDENTIAL</b> UNLESS OTHERWISE SPECIFIED: <b>MPF PRODUCTS INC.</b>	
ANY REPRODUCTION IN PART OR AS A WHOLE WITHOUT THE WRITTEN PERMISSION OF MPF PRODUCTS INC. IS PROHIBITED. USED ON:	DIMENSIONS ARE IN INCHES. TOLERANCES: ANGULAR: MACH ± 1/2 ° TWO PLACE DECIMAL THREE PLACE DECIMAL
<b>CONNECTOR</b>	±.030 ±.015
DO NOT SCALE DRAWING	DRAWN BY: JB      DATE: CHECKED: ENG APPR.: JB

SIZE <b>A</b>	DWG. NO. <b>A1177-1-CN</b>	REV 11/18/2013
LAST SAVED DATE	Monday, November 18, 2013 11:23:31 AM	



Engineering Assistance  
 Custom parts & modifications  
 Available on all parts

In-House Manufacturing  
 Manufactured on-site to  
 our high quality standards

Fast Turnaround  
 Quick shipping on stock parts  
 and quick design on custom parts

For Questions or to Order:

1-866-429-4224  
 MPFPI.com  
 sales@mpfpi.com