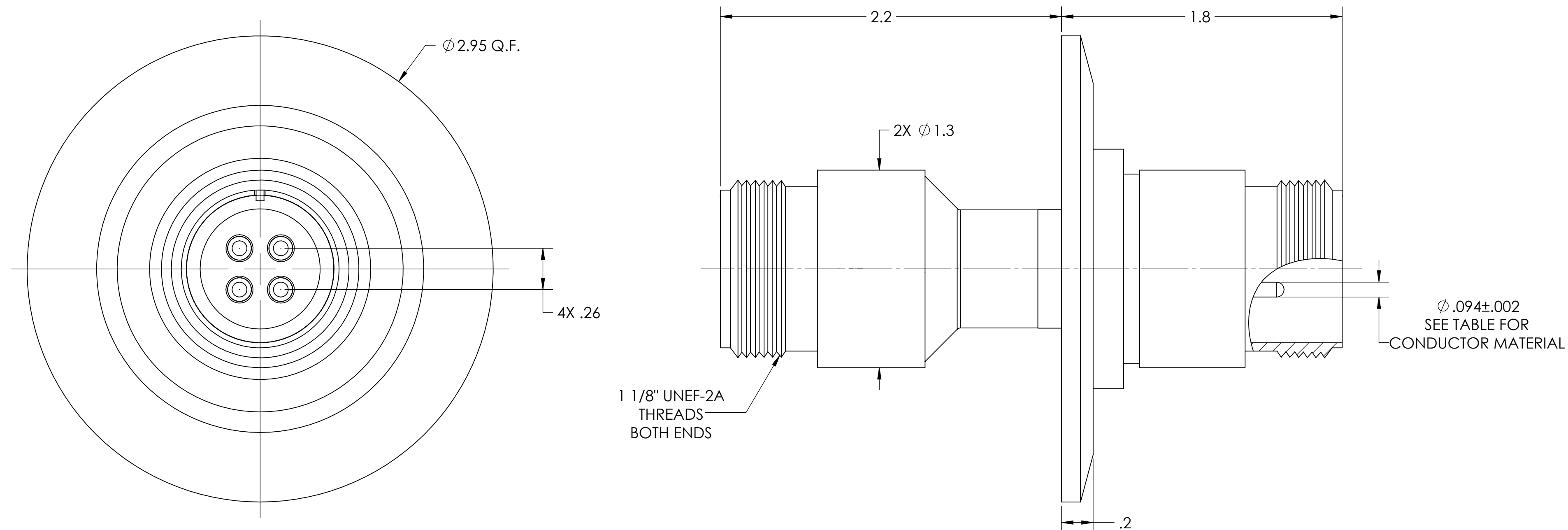
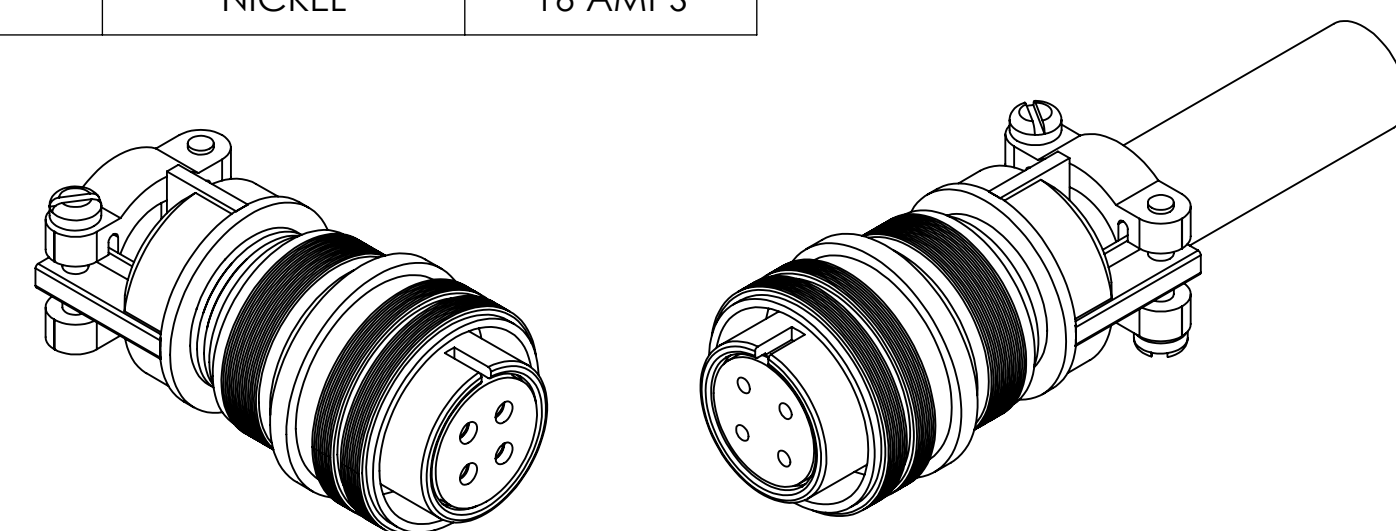


MPF PRODUCTS INC.



PART #	CONNECTORS	AIRSIDE CONN.	CONN. QUANTITY	VACUUM SIDE CONN.	CONN. QUANTITY	COND. MATERIAL	AMP RATING
A14857-1-QF	YES	A5104-1-CN	1	A15649-1-CN	1	MOLYBDENUM	28 AMPS
A14857-2-QF	NO	N/A	N/A	N/A	N/A	MOLYBDENUM	28 AMPS
A14857-3-QF	YES	A5104-1-CN	1	A15649-1-CN	1	NICKEL	16 AMPS
A14857-4-QF	NO	N/A	N/A	N/A	N/A	NICKEL	16 AMPS



UNLESS OTHERWISE SPECIFIED: DIMENSIONS ARE IN INCHES TOLERANCES: ANGULAR: MACH ± 1/2° TWO PLACE DECIMAL ± .030 THREE PLACE DECIMAL ± .015	QUOTATION #		N/A	APPROVED
	DRAWN	NAME	DATE	MPF PRODUCTS INC. TITLE: MULTIPIN, 4 PIN, 700V, DOUBLE ENDED, 275CF
CHECKED	WJ	9/11/2015		
ENG APPR.	WJ	9/11/2015		
MATERIAL	THIRD ANGLE:			
Material <not specified>	APPLICATION			
FINISH	SURFACE FINISH:		DOWNLOADED FROM MPFPI.COM DWG. NO.	
PLATING	UNLESS OTHERWISE SPECIFIED:		A14857 REV	
		ALL DIAMETERS CONCENTRIC WITHIN .005. REMOVE ALL BURRS AND SHARP EDGES		Wednesday, October 19, 2016 9:43:22 AM

MS High Current Series, Double Ended, Multipin Feedthrough, 4 Pins, 700 Volts, 0.94" Conductors, 2.95" Quick Flange